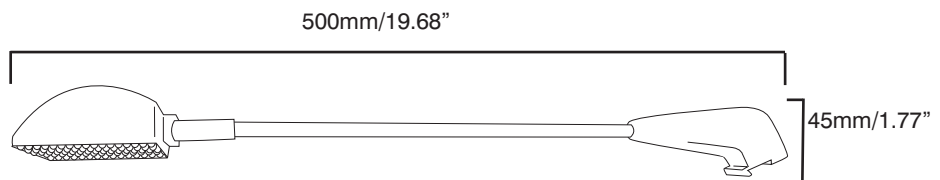


LED FloodLight

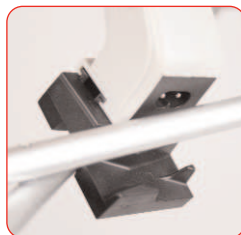


features & benefits

- 200w equivalent
- Long lasting and low heat emitting floodlight
- Low power consumption
- 3m power lead with UK or Euro plug
- Supplied with Pop-up light fitting for both Quick and Xpress systems
- Suitable for use with universal fitting
- Available in Silver
- 290mm/11.4" straight arm with adjustable head



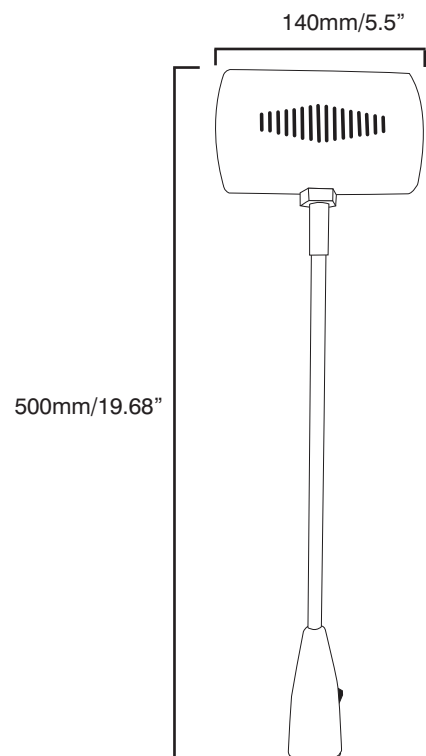
To attach the Pop-up light fitting simply slide the light fitting into the groove found at the base of the light



Once the light fitting is secure place the light fitting between the scissors on the Pop-up



Lower the light down making sure the light fitting is securely in place.



| Hardware specifications | Additional information |
|---|--|
| <p>Hardware size (h) x (w) x (d): 500mm (h) x 140mm (w) x 40mm (d) 19.68" (h) x 5.5" (w) x 1.77" (d)</p> <p>Voltage: 8V 1A Transformer, 3m power lead with UK or Euro plug, 30 lumens per watt</p> <p>Weight: 0.57kg</p> | <p>Recommended accessories: Universal Light Fitting kit - US901 for use with panels and pop-up kits</p> <p>Lighting and Accessories Case- AC315</p> |

We are continually improving and modifying our product range and reserve the right to vary the specifications without prior notice. All dimensions and weights quoted are approximate and we accept no responsibility for variance. E&OE.